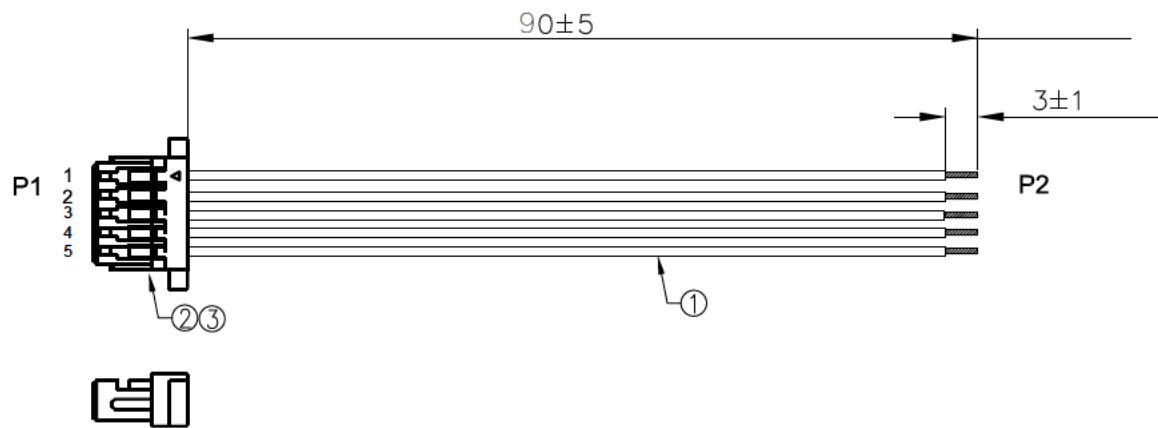
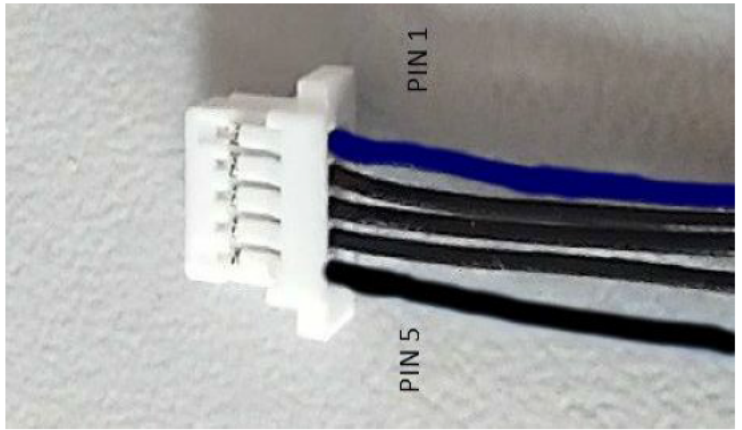


1 2 3 4 5 6 7 8 9
Customer Part No.



WIRE LIST

P1	Color	P2	Remark
1	Blue	Tin	
2	Black	Tin	
3	Black	Tin	
4	Black	Tin	
5	Black	Tin	



③	Terminal	SM C03 9030 T	5	pcs
②	Housing	SM C03 9030 05 H	1	pcs
①	Wire	UL1571 28AWG OD:0.6mm	5	pcs
NO.	Material	Description	Q'TY	Unit

F	△4				TITLE:	DRAWN:	PART NO. : SM C03 9030 05 H + cable 05P 90mm (PIN1-Blue+4xBlack)
	△3					CHECKED:	
	△2					APPROVED:	

MARK	REVISION DESCRIPTION	SIGNATURE	DATE	UNIT:mm	SCALE:N/A	SHEET:1/1	PROJECTION	REV.:AO	DRAWING NO.:
------	----------------------	-----------	------	---------	-----------	-----------	------------	---------	--------------

1 2 3 4 5 6 7 8 9